

# Professional Grade Area & Pathlights

## BENTLEY

Our elegant shepherd's hook path light, Bentley, features a directional hood and provides a circular spread of diffuse and glare-free illumination.

With low impact, shielded light, Bentley offers direct ground and path illumination adding safety, security and visibility for walking.

Strategically placed, Bentley evenly and clearly lights pathways, walkways and water elements, such as ponds and waterfalls. The tempered glass lens protects the lamp and socket from water, moisture and debris.

Bentley's unique design is ideal for mounting behind plant beds to illuminate tall greenery or plant materials and cast shadows and filtered light patterns onto paths and other hardscape designs.



## PEARL

Pearl, our rugged semi-spherical domed pathlight, offers a wide shade for glare-free illumination.

Constructed of solid machined brass, this area light is ideal for lighting plant beds featuring low flowers and decorative ground cover. Pearl's frosted polycarbonate lens protects the socket and lamp from water, moisture and debris.

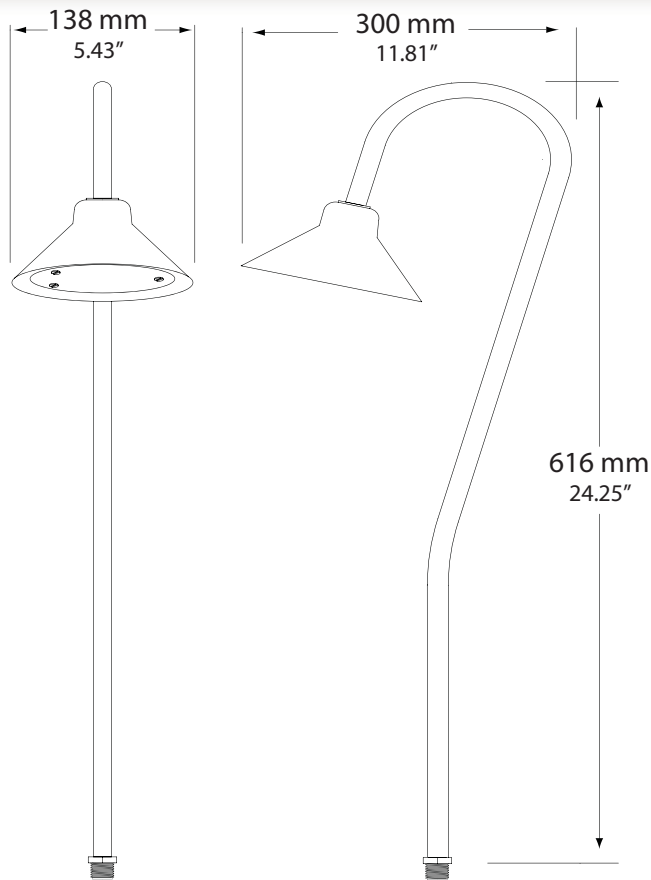
Pearl produces low-level, evenly dispersed, circular patterns, which could also be used to enhance decorative accents in tiered hardscapes or walkways.

Pearl's adjustable stem allows you to raise or lower the lamp socket allowing for the perfect amount of overall illumination.



# Professional Grade Area & Pathlights

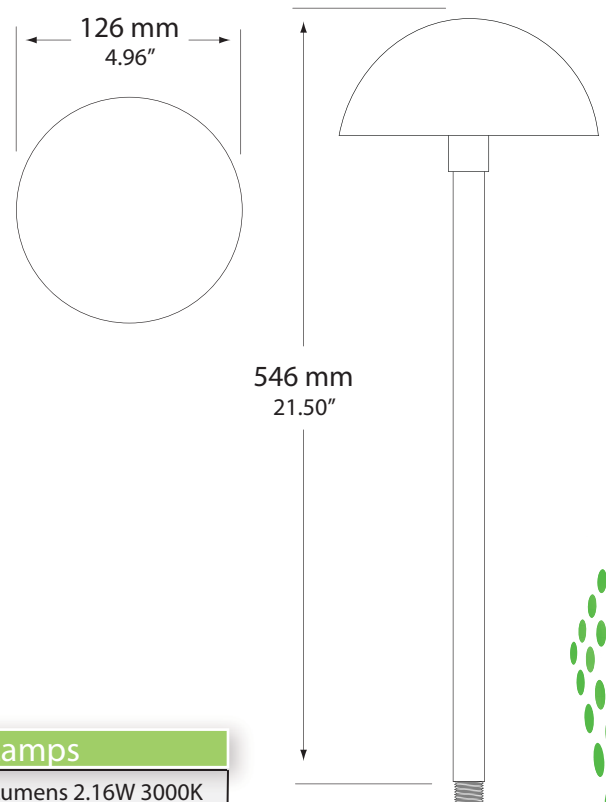
## BENTLEY



**Voltage:** 12V  
**Construction:** Solid Cast Brass  
**Weight:** 3.05 lbs  
**Finish:** Weathered Red Brass w/ Yellow Brass  
**Wire:** 36" 18/2 UL Rated Lead Wire  
**Socket:** Beryllium Copper, G4 BiPin Socket, pre-greased  
**Wattage:** Maximum 20 Watts  
**Lens:** Clear Tempered Glass  
**Mounting:** Brass Stake Included  
*Lamp Not Included*

## PEARL

**Voltage:** 12V  
**Construction:** Solid Cast Brass  
**Weight:** 3.05 lbs  
**Finish:** Weathered Red Brass  
**Wire:** 36" 18/2 UL Rated Lead Wire  
**Socket:** Beryllium Copper, G4 BiPin Socket, pre-greased  
**Wattage:** Maximum 20 Watts  
**Lens:** Frosted Poly-Carbonate  
**Mounting:** Brass Stake Included  
*Lamp Not Included*



### Recommended LED Lamps

<b>LED 19MM G4 BiPin</b>	140 Lumens 2.16W 3000K
<b>LED G4 BIPIN REAR</b>	150 Lumens 1.6W 3000K